

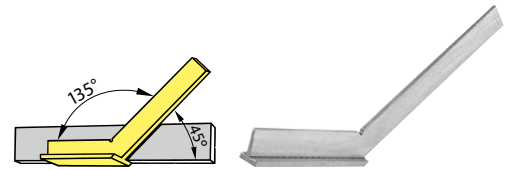


HOLEX® Mitre squares with stop

Made of steel. With precision ground reference edges; other faces are precision machined. Angular tolerances based on DIN 875/2.

Application: For accurate marking and checking of 45° for 90° corner butts.

| | | | | |
|---------------------|------------------------|--------|---------|---------|
| Stock length | mm | 120×80 | 150×100 | 200×130 |
| 42F 45 5400 | Mitre square with stop | | | |
| Shank cross-section | mm | 20×5 | 20×5 | 30×7 |

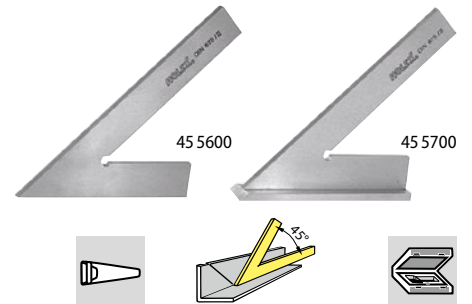


HOLEX® 45° squares

Made of steel. With precision ground reference edges; other faces are precision machined. Angular tolerances based on DIN 875/2.

Application: For accurate marking and checking of 45°.

| | | | |
|---------------------|--------------------|--------|---------|
| Stock length | mm | 120×80 | 150×100 |
| 42F 45 5600 | Angle stock square | | |
| 42F 45 5700 | Angle try square | | |
| Shank cross-section | mm | 20×5 | |

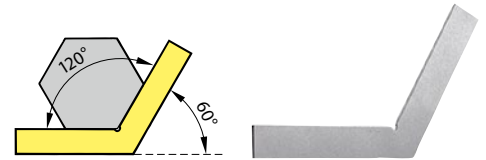


HOLEX® Hexagonal flat square

Precision steel version. With ground reference edges; other faces are accurately aligned. Angular tolerances based on DIN 875/1.

Application: For accurate marking and checking of 60° and 120°.

| | | | |
|---------------------|-----------------------|-------|---------|
| Stock length | mm | 50×50 | 100×100 |
| 42F 45 5800 | Hexagonal flat square | | |
| Shank cross-section | mm | 15×4 | 20×5 |



HOLEX® Steel squares galvanised

Made of steel. Surface galvanised. Reference edges and other faces finish machined.

Application: For simple alignment and marking work in fitting shops, tinsmithing shops etc.

| | | | | | | | | | | |
|---------------------|------------------------------|--------|---------|---------|---------|---------|---------|---------|---------|----------|
| Stock length | mm | 100×70 | 150×100 | 200×130 | 250×160 | 300×175 | 400×230 | 500×280 | 750×375 | 1000×500 |
| 42F 45 6000 | Flat steel square galvanised | | | | | | | | | |
| 42F 45 6200 | Flat try square galvanised | | | | | | | | | |
| Shank cross-section | mm | 20×5 | 20×5 | 20×5 | 25×5 | 25×5 | 30×5 | 30×5 | 30×5 | 30×5 |



HOLEX® Flange square

Steel, galvanised. Reference edges and other faces precision machined.

Application: Special fitter's square for accurate alignment of flanges.

| | | | |
|---------------------|---------------|--------|--------|
| Stock length | mm | 300 | 400 |
| 42F 45 6600 | Flange square | | |
| Shank cross-section | mm | 30×5 | |
| Flange width | mm | 105×65 | 115×65 |

